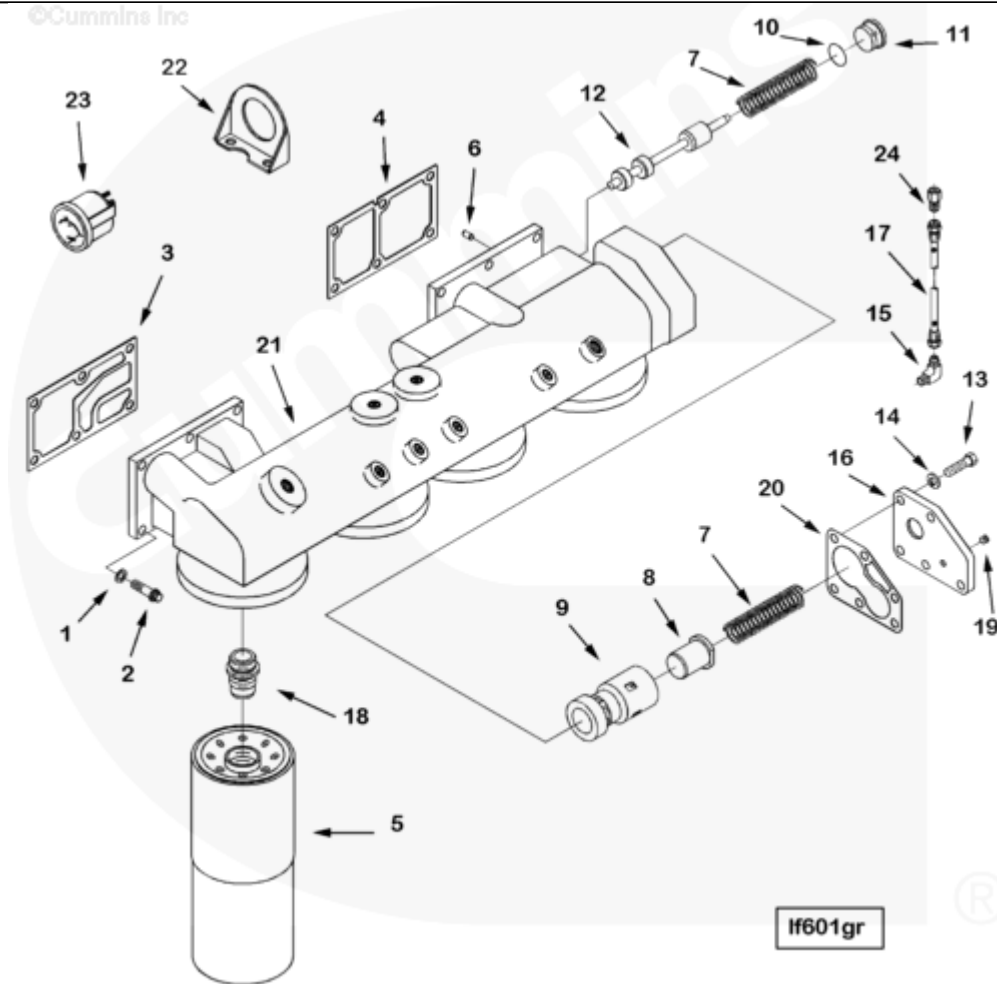




## Parts Catalog - Option Detail

Electronic Parts Catalog - Option Detail				
Option	Group	Graphic	Film Card	Date
LF6039-02	07.03	lf601gr	K38	25-AUG-98
<b>Engines</b>	GTA38, K38, KTA38GC CM558, QSK38 CM2150 K106, QSK38 CM2150 MCRS, QSK38 CM850 MCRS			



[SMALL](#) | [MEDIUM](#) | [LARGE](#)

Cart	Ref No	Part Number	Part Description	Required	Remarks
<input type="button" value="View My Cart"/>					
		<a href="#">LF6039-02</a>	Lubricating Oil Filter		<a href="#">Lube oil filter...(More)</a>
					four element lube oil filter
					with replaceble extended life
					spin-on cartridges mounted on

					the left (port) side of the
					engine. The option includes
					mounted filter restriction
					gauge on filter head.
<input type="checkbox"/>	1	<a href="#">127362</a>	Plain Washer	12	3/8 in.
<input type="checkbox"/>	2	<a href="#">191772</a>	Twelve Point Cap Screw	12	3/8 - 16 X 1 1/4 in.
<input type="checkbox"/>	3	<a href="#">3177108</a>	Filter Head Gasket	1	
<input type="checkbox"/>	4	<a href="#">3629387</a>	Filter Head Gasket	1	
	5	<a href="#">3313305</a>	Lubricating Oil Filter Element	4	
<input type="checkbox"/>	6	<a href="#">69558</a>	Pin Dowel	1	
<input type="checkbox"/>	7	<a href="#">205659</a>	Compression Spring	2	
<input type="checkbox"/>	8	<a href="#">3021618</a>	Pressure Regulator Plunger	1	
<input type="checkbox"/>	9	<a href="#">3028552</a>	Bypass Valve Body	1	
<input type="checkbox"/>		<a href="#">3040818</a>	Threaded Plug	1	1 3/16 - 12 UN
<input type="checkbox"/>	10	<a href="#">3035228</a>	O-Ring Seal	1	
	11	<a href="#">3040819</a>	Threaded Plug	1	
<input type="checkbox"/>	12	<a href="#">3627927</a>	Pressure Regulator Plunger	1	
<input type="checkbox"/>	13	<a href="#">S 103 D</a>	Hexagon Head Cap Screw	6	3/8 - 16 x 1 1/4 in.
<input type="checkbox"/>	14	<a href="#">S 604</a>	Lock Washer	6	3/8 in.
<input type="checkbox"/>	15	<a href="#">112105</a>	Male Adapter Elbow	2	
<input type="checkbox"/>	16	<a href="#">3177433</a>	Cover Plate	1	
<input type="checkbox"/>	17	<a href="#">AS 4011 SL</a>	Flexible Hose	2	
<input type="checkbox"/>	18	<a href="#">3627309</a>	Filter Head Adapter	4	
<input type="checkbox"/>	19	<a href="#">3628604</a>	Pipe Plug	1	1/8 - 27 X 0.3 in.
<input type="checkbox"/>	20	<a href="#">3629141</a>	Lubricating Oil Filter Cover Gasket	1	
<input type="checkbox"/>		<a href="#">3630555</a>	Lubricating Oil Filter Head	1	
<input type="checkbox"/>	21	<a href="#">3630432</a>	Lubricating Oil Filter Head	1	
<input type="checkbox"/>	22	<a href="#">3632021</a>	Instrument Bracket	1	
<input type="checkbox"/>	23	<a href="#">3866089</a>	Pressure Gauge	1	
<input type="checkbox"/>	24	<a href="#">3866090</a>	Plain Adapter	2	

